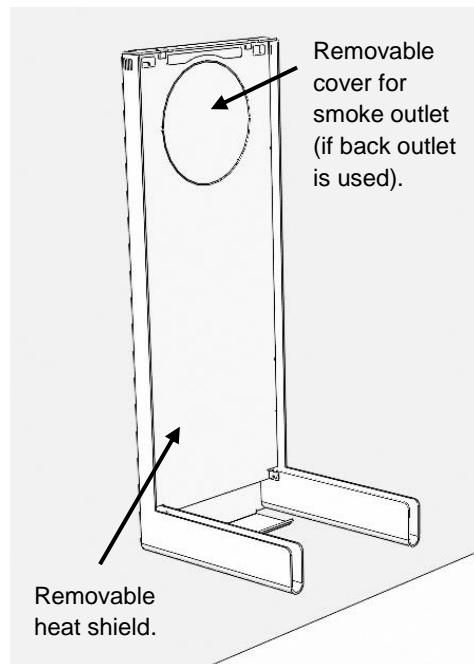
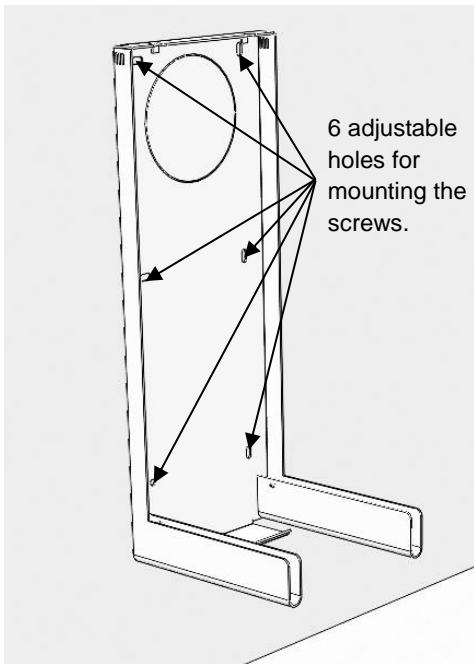


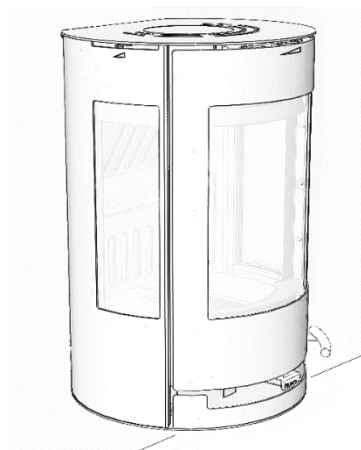
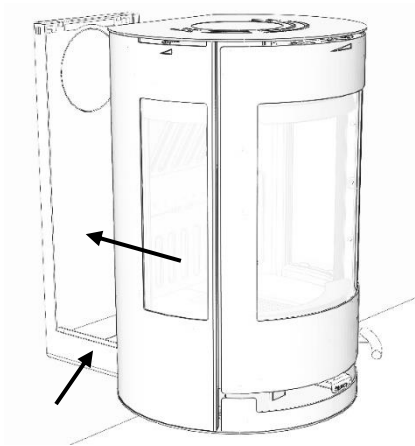
# Aduro 9.4 wall mounting

---

## 1. The wall bracket:



## 2. Place the stove on the lower rails of the bracket and push the stove in place:



## 3. Secure the stove in the "lock" position at the top and with the screw under the bottom:

